

CLIMBOO 0420



5 - 14 years



1 kids



84,4 m²

Material specification

- Hot-dip galvanized and powder coated or powder galvanized and powder coated steel of 120 x 120 mm, 100 x 100 mm profile,
- Platforms made of durable anti-slip and waterproof HPL plate,
- Steel ropes in polypropylene braid, connected with durable plastic elements, stainless steel or aluminum,
- Stainless steel rope and other stringing elements,
- Stainless steel ladders and handrails,
- Screws covered with plastic caps and/or stainless steel screws,



Physical development



sliding

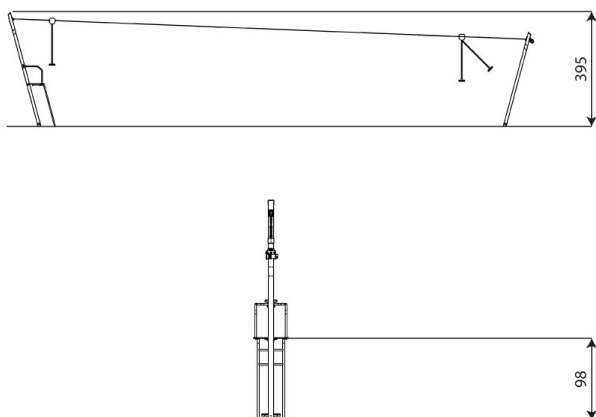
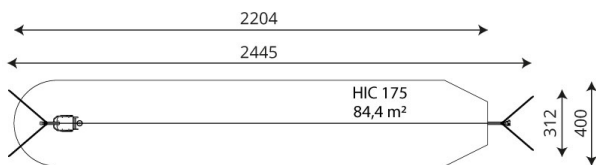


climbing





2
number of activity elements



Product technical sheet

CLIMBOO 0420

Product data

Length	2445 cm
Width	312 cm
Total height	395 cm
Age group	5 - 14 years
Number of users	1 kids
Safety zone	84,4 m2
Free fall height	175 cm
The height of the platforms	98 cm
In accordance with norm EN	1176-1:2017
Weight of the heaviest part	89 kg
Dimensions of the largest part	487x12x12 cm
Availability of spare parts	YES
Installation time	3 h
Color options	

Data is subject to change without prior notice.

Additional information

- equipment intended for public playgrounds;
- equipment has a certificate issued by an accredited entity or a declaration of conformity;
- no sharp edges or chinks that would pose a danger of jimmie the head, fingers or any other body parts;
- anchoring on flat surface, 100 cm deep;
- render is for reference only, the actual appearance of the equipment and its color may vary;
- other rope lengths available (30-40 m);

Guarantee

30 30 year guarantee - Structural strength of steel and stainless steel components

15 15 year guarantee - Structural failure of steel and stainless steel, for dynamic equipment

10 10 year guarantee - Structural failure of high density polyethylene and high pressure laminates components

5 5 year guarantee - Corrosion of stainless steel and hot dip galvanized and powder coated components; against bark beetles and rot in case of wooden structural elements

Detailed information in the guarantee card



Surfaces according to EN 1176-1:2017

	Description (mm)	Layer thickness (cm)	Maximum fall heights (cm)
Turf/ top layer of soil (A,B,C)	-	-	≤100
bark (A,C)	Particle size from 20 to 80	30	≤200
		40	≤300
woodchips (A,C)	Particle size from 5 to 30	30	≤200
		40	≤300
sand or gravel (A,C)	Particle size from 0,25 to 8	30	≤200
		40	≤300
synthetic attested (A,B,C)	Tested according to EN 1177		175

Product technical sheet

CLIMBOO 0420

Amount of safe surface corresponding with free fall height:

HIC 175 84,4 m²

Data is subject to change without prior notice.

