



**Product technical sheet**

**SPRING 0606**



1 - 12 years



1 kids



11,1 m<sup>2</sup>

**Material specification**

- Powder galvanized and powder coated steel construction,
- Side panels and seats made of durable HDPE plate, resistant to weather conditions,
- Steel springs 20 mm, iron phosphorated and powder coated,
- Handles made of stainless steel,
- Screws covered with plastic caps and/or stainless steel screws,

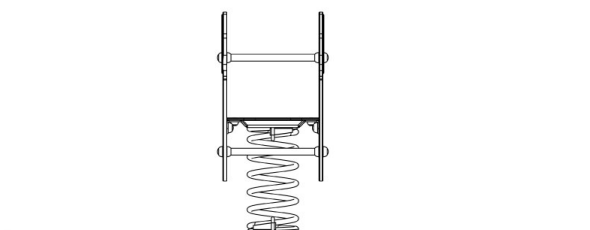
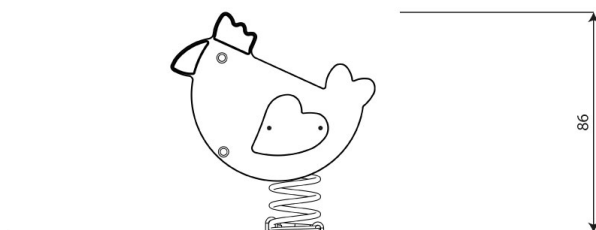
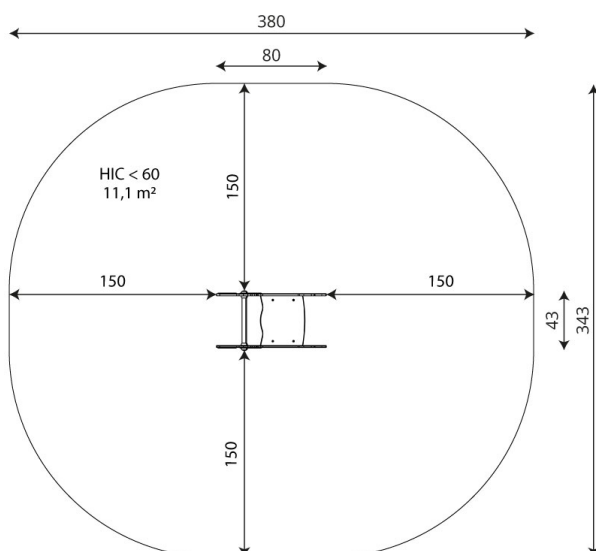


**Physical development**



rocking





## Product technical sheet

# SPRING 0606

### Product data

Length	80 cm
Width	43 cm
Total height	86 cm
Age group	1 - 12 years
Number of users	1 kids
Safety zone	11,1 m <sup>2</sup>
Free fall height	<60 cm
In accordance with norm EN	1176-1:2017
Weight of the heaviest part	23 kg
Dimensions of the largest part	80x130x43 cm
Availability of spare parts	YES
Installation time	1,5 h
Color options	

Data is subject to change without prior notice.

### Additional information

- equipment intended for public playgrounds;
- equipment has a certificate issued by an accredited entity or a declaration of conformity;
- no sharp edges or chinks that would pose a danger of jimmie the head, fingers or any other body parts;
- anchoring on flat surface, 80/70/60 cm deep;
- render is for reference only, the actual appearance of the equipment and its color may vary;

## Guarantee

- 30** 30 year guarantee - Structural strength of steel and stainless steel components
- 15** 15 year guarantee - Structural failure of steel and stainless steel, for dynamic equipment
- 10** 10 year guarantee - Structural failure of high density polyethylene and high pressure laminates components
- 5** 5 year guarantee - Corrosion of stainless steel and hot dip galvanized and powder coated components; against bark beetles and rot in case of wooden structural elements

Detailed information in the guarantee card



# SPRING 0606

## Surfaces according to EN 1176-1:2017

	Description (mm)	Layer thickness (cm)	Maximum fall heights (cm)
Turf/ top layer of soil (A,B,C)	-	-	≤100
bark (A,C)	Particle size from 20 to 80	30	≤200
		40	≤300
woodchips (A,C)	Particle size from 5 to 30	30	≤200
		40	≤300
sand or gravel (A,C)	Particle size from 0,25 to 8	30	≤200
		40	≤300
synthetic attested (A,B,C)	Tested according to EN 1177		60

### Amount of safe surface corresponding with free fall height:

HIC <60 11,1 m<sup>2</sup>

Data is subject to change without prior notice.

