



**Product technical sheet**

**STEEL+ 1727**



4 - 14 years



38 kids



44,1 m<sup>2</sup>



**Material specification**

- Powder galvanized and powder coated or stainless steel construction of 80 x 80 mm profile,
- Platforms and climbing walls made of durable anti-slip and waterproof HPL plate,
- Roofs and side panels made of durable HDPE plate, resistant to weather conditions,
- Transparent polycarbonate panels with a permanent print resistant to scratches and weather conditions
- Slides made of stainless steel with durable HDPE side panels,
- Drawing board made of durable HPL plate, resistant to weather conditions,
- Maze windows made of polycarbonate, balls made of synthetic material,
- Durable climbing stones made of polyester resin composite with mineral fillers,
- Steel ropes in polypropylene braid, connected with durable plastic elements, stainless steel or aluminum,
- Attested, safe seats,
- Calibrated stainless steel chains, preventing fingers entrapment,
- Stainless steel bars and handrails,
- Stainless steel screws and/or screws covered with plastic caps,
- Safe end caps on top of the structure made of rubber or polypropylene,



**Facilitating disability**



easy access



shelters



integration



**Intellectual development**



manipulation



thinking



**Physical development**



hiding



sliding



rest



climbing



roofs





**1**  
number of towers



**2**  
number of slides



**4**  
number of roofs



**6**  
number of interactive elements



**4**  
number of activity elements

**Product technical sheet**

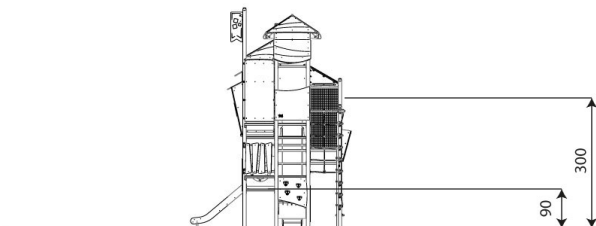
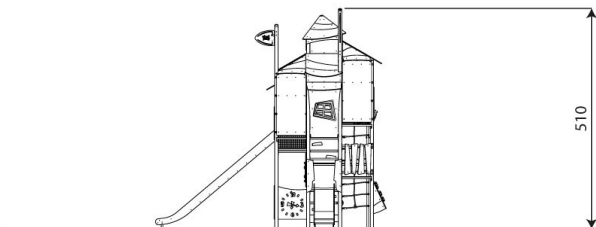
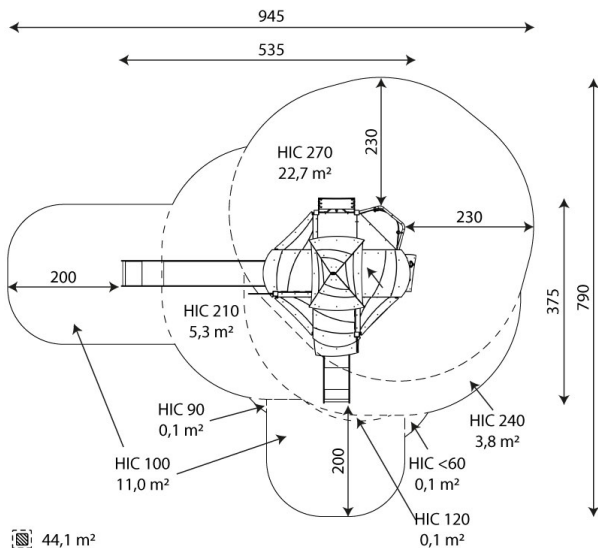
**STEEL+ 1727**

**Product data**

Length	535 cm
Width	375 cm
Total height	510 cm
Age group	4 - 14 years
Number of users	38 kids
Safety zone	44,1 m <sup>2</sup>
Free fall height	270 cm
The height of the platforms	90, 120, 150, 180, 210, 240, 300 cm
slide platform height	90, 210 cm
In accordance with norm EN	1176-1:2017
Weight of the heaviest part	65 kg
Dimensions of the largest part	8x8x510 cm
Availability of spare parts	YES

Color options

Data is subject to change without prior notice.



**Additional information**

- equipment adapted for the disabled; intended for public playgrounds;
- equipment has a certificate issued by an accredited entity or a declaration of conformity;
- no sharp edges or chinks that would pose a danger of jimmieing the head, fingers or any other body parts;
- anchoring on flat surface, 80/70 cm deep;
- slide should not be installed southwards;
- render is for reference only, the actual appearance of the equipment and its color may vary;

**Guarantee**

**30**

30 year guarantee - Structural strength of steel and stainless steel components

**15**

15 year guarantee - Structural failure of steel and stainless steel, for dynamic equipment

**10**

10 year guarantee - Structural failure of high density polyethylene and high pressure laminates components

**5**

5 year guarantee - Corrosion of stainless steel and hot dip galvanized and powder coated components; against bark beetles and rot in case of wooden structural elements

Detailed information in the guarantee card

**Vinci Group Sp. z o.o.**  
Seminarnyja 9 Street  
99-400 Łowicz

VAT: 534-250-14-46  
PHONE: +48 42 203 24 99 ext. 26  
M: +48 793 404 991



biuro@vinci-play.com  
info@vinci-play.com  
[www.vinci-play.com](http://www.vinci-play.com)

## Surfaces according to EN 1176-1:2017

	Description (mm)	Layer thickness (cm)	Maximum fall heights (cm)
Turf/ top layer of soil (A,B,C)	-	-	≤100
bark (A,C)	Particle size from 20 to 80	30	≤200
		40	≤300
woodchips (A,C)	Particle size from 5 to 30	30	≤200
		40	≤300
sand or gravel (A,C)	Particle size from 0,25 to 8	30	≤200
		40	≤300
synthetic attested (A,B,C)	Tested according to EN 1177		270

## Product technical sheet

# STEEL+ 1727

### Amount of safe surface corresponding with free fall height:

HIC <60	0,1 m <sup>2</sup>
HIC 90	0,1 m <sup>2</sup>
HIC 100	11,0 m <sup>2</sup>
HIC 120	0,1 m <sup>2</sup>
HIC 210	5,3 m <sup>2</sup>
HIC 240	3,8 m <sup>2</sup>
HIC 270	22,7 m <sup>2</sup>

Data is subject to change without prior notice.

