

# ROBINIA RB1366



1 - 12 years



1 kids



11,7 m<sup>2</sup>

## Material specification

- Construction made of Robinia - very durable acacia wood with a diameter of ~ 22 cm without sharp edges, resistant to weather conditions,
- Powder galvanized and powder coated steel construction,
- Windows and/or elements made of polycarbonate,
- Elements made of safe, certified rubber with textile reinforcement,
- Footrests made of synthetic material,
- Steel springs 20 mm, iron phosphorated and powder coated,
- Handles made of stainless steel,
- Stainless steel screws,

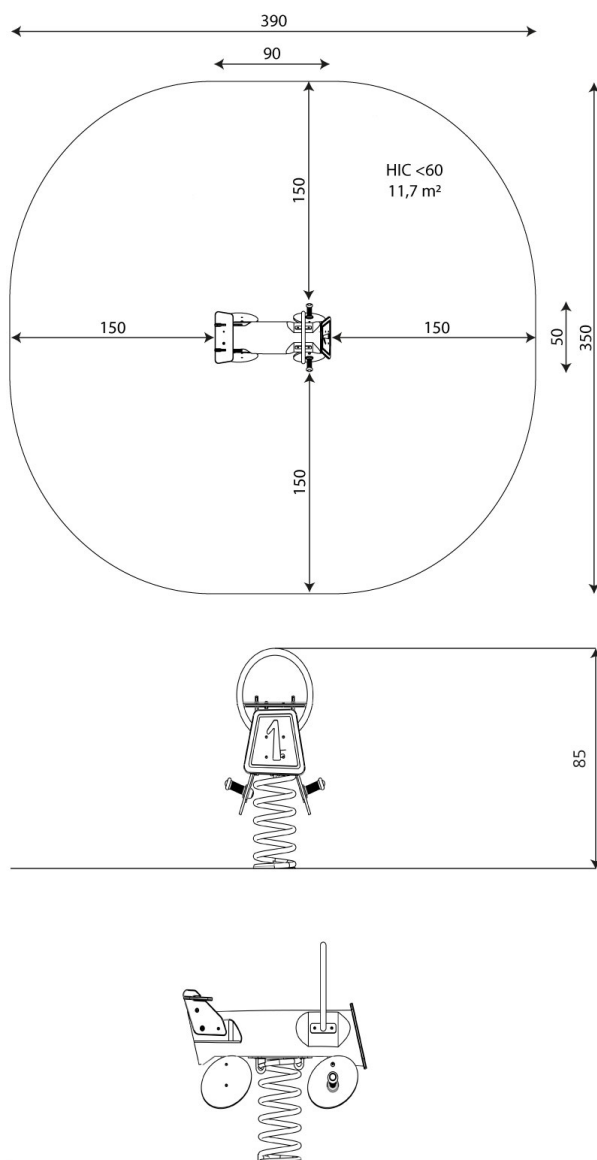


Physical development



rocking





**Product technical sheet**

**ROBINIA RB1366**

**Product data**

Length	90 cm
Width	50 cm
Total height	85 cm
Age group	1 - 12 years
Number of users	1 kids
Safety zone	11,7 m2
Free fall height	<60 cm
In accordance with norm EN	1176-1:2017
Weight of the heaviest part	23 kg
Dimensions of the largest part	83x22x22 cm
Availability of spare parts	YES

Data is subject to change without prior notice.

**Additional information**

- equipment intended for public playgrounds;
- equipment has a certificate issued by an accredited entity or a declaration of conformity;
- no sharp edges or chinks that would pose a danger of jimmieing the head, fingers or any other body parts;
- anchoring on flat surface, 80/70/60 cm deep;
- render is for reference only, the actual appearance of the equipment and its color may vary;

**Guarantee**

- 30** 30 year guarantee - Structural strength of steel and stainless steel components
- 15** 15 year guarantee - Structural failure of steel and stainless steel, for dynamic equipment
- 10** 10 year guarantee - Structural failure of high density polyethylene and high pressure laminates components
- 5** 5 year guarantee - Corrosion of stainless steel and hot dip galvanized and powder coated components; against bark beetles and rot in case of wooden structural elements

Detailed information in the guarantee card



## Surfaces according to EN 1176-1:2017

	Description (mm)	Layer thickness (cm)	Maximum fall heights (cm)
Turf/ top layer of soil (A,B,C)	-	-	≤100
bark (A,C)	Particle size from 20 to 80	30	≤200
		40	≤300
woodchips (A,C)	Particle size from 5 to 30	30	≤200
		40	≤300
sand or gravel (A,C)	Particle size from 0,25 to 8	30	≤200
		40	≤300
synthetic attested (A,B,C)	Tested according to EN 1177		<60

## Product technical sheet

# ROBINIA RB1366

### Amount of safe surface corresponding with free fall height:

HIC <60 11,7 m<sup>2</sup>

Data is subject to change without prior notice.

