

# ROBINIA RB1422



1-3/3-14



2 kids



21,5 m<sup>2</sup>

**R1**



**R2**



**R3**



**R5**



**R16**



## Material specification

- Construction made of Robinia - very durable acacia wood with a diameter of ~ 18 cm without sharp edges, resistant to weather conditions,
- Hot-dip galvanized steel construction,
- Attested, safe seats,
- Calibrated stainless steel chains, preventing fingers entrapment,
- Stainless steel swing fittings,
- Screws covered with plastic caps and/or stainless steel screws,

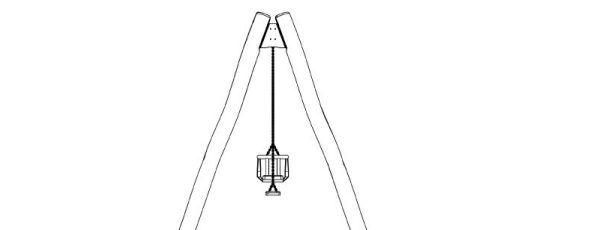
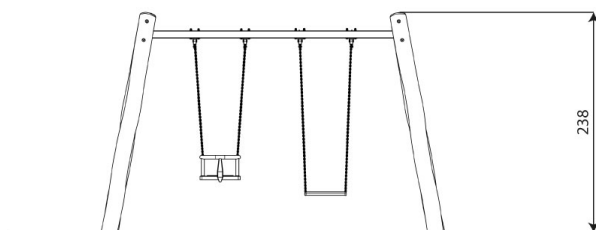
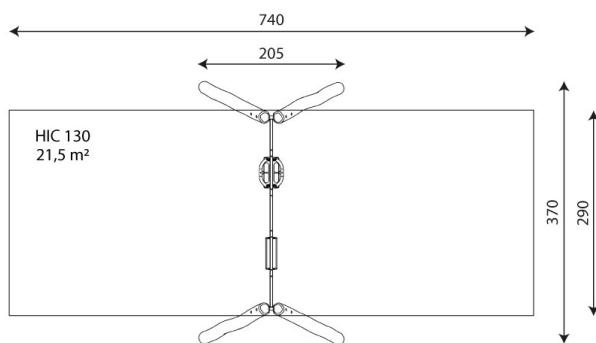


**Physical development**



rocking





**Product technical sheet**

**ROBINIA RB1422**

**Product data**

Length	205 cm
Width	370 cm
Total height	238 cm
Age group	1-3/3-14 years
Number of users	2 kids
Safety zone	21,5 m <sup>2</sup>
Free fall height	130 cm
In accordance with norm EN	1176-1:2017
Weight of the heaviest part	72 kg
Dimensions of the largest part	310x18x18 cm
Availability of spare parts	YES
Installation time	2 h

Data is subject to change without prior notice.

**Additional information**

- equipment intended for public playgrounds;
- equipment has a certificate issued by an accredited entity or a declaration of conformity;
- available types of seats in the swing: R1-flat, R2-basket, R3-flat belt, R5-flat with barrier;
- no sharp edges or chinks that would pose a danger of jimmieing the head, fingers or any other body parts;
- anchoring on flat surface, 80/70/60 cm deep;
- render is for reference only, the actual appearance of the equipment and its color may vary;

**Guarantee**

- 30** 30 year guarantee - Structural strength of steel and stainless steel components
- 15** 15 year guarantee - Structural failure of steel and stainless steel, for dynamic equipment
- 10** 10 year guarantee - Structural failure of high density polyethylene and high pressure laminates components
- 5** 5 year guarantee - Corrosion of stainless steel and hot dip galvanized and powder coated components; against bark beetles and rot in case of wooden structural elements

Detailed information in the guarantee card



## Surfaces according to EN 1176-1:2017

	Description (mm)	Layer thickness (cm)	Maximum fall heights (cm)
Turf/ top layer of soil (A,B,C)	-	-	≤100
bark (A,C)	Particle size from 20 to 80	30	≤200
		40	≤300
woodchips (A,C)	Particle size from 5 to 30	30	≤200
		40	≤300
sand or gravel (A,C)	Particle size from 0,25 to 8	30	≤200
		40	≤300
synthetic attested (A,B,C)	Tested according to EN 1177		130

## Product technical sheet

# ROBINIA RB1422

### Amount of safe surface corresponding with free fall height:

HIC 130 21,5 m<sup>2</sup>

Data is subject to change without prior notice.

