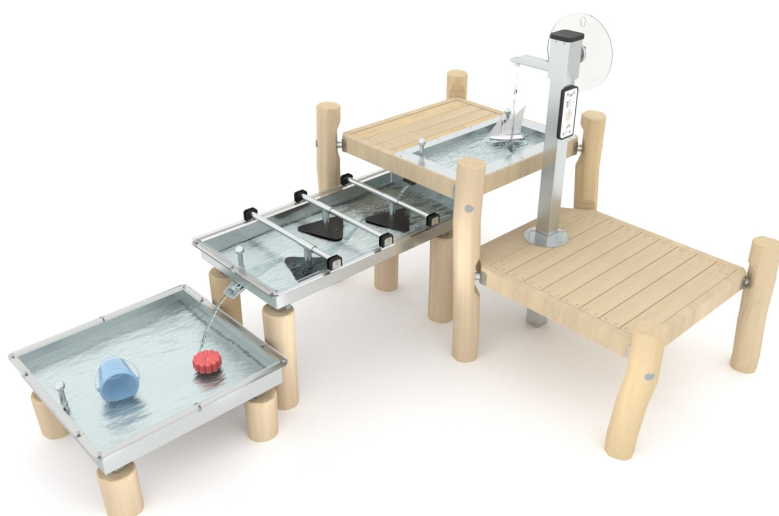


ROBINIA RB2862



1+



26,9 m²

Material specification

- Construction made of Robinia - very durable acacia wood with a diameter of ~ 14 cm without sharp edges, resistant to weather conditions,
- Construction made of Robinia - very durable acacia wood with a diameter of ~ 18 cm without sharp edges, resistant to weather conditions,
- Platforms made of Robinia - very durable acacia wood, resistant to weather conditions,
- Gutter, tanks made of stainless steel, protected from the top with transparent polycarbonate,
- Gutter barriers made of rubber, HDPE and stainless steel,
- Manipulative elements made of stainless steel and HDPE,
- Plugs for gutters and tanks made of stainless steel and plastic,
- Water Mill wheel made of stainless steel and polycarbonate,
- Pump made of stainless steel; intended for connection to the public water supply network; stimulated pumping, similar to a hand pump,
- Screws covered with plastic caps and/or stainless steel screws,



Facilitating disability



easy access



integration



Intellectual development

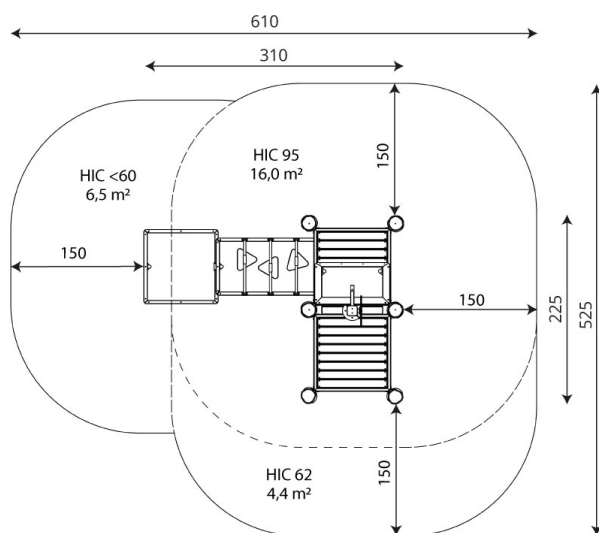


sensorics

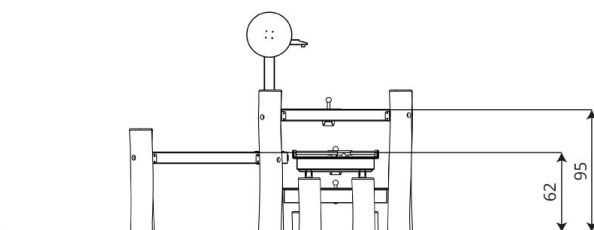
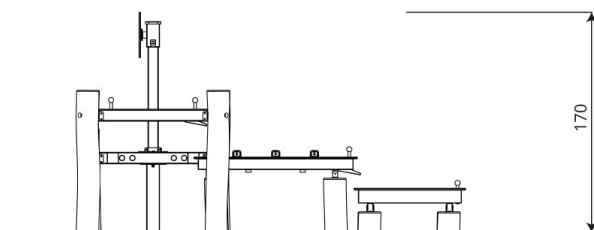


thinking





26,9 m²



Product technical sheet

ROBINIA RB2862

Product data

Length	310 cm
Width	225 cm
Total height	170 cm
Age group	1+ years
Safety zone	26,9 m2
Free fall height	95 cm
The height of the platforms	62, 95 cm
In accordance with norm EN	1176-1:2017
Weight of the heaviest part	19,5 kg
Availability of spare parts	YES

Data is subject to change without prior notice.

Additional information

- equipment adapted for the disabled; intended for public playgrounds;
- anchoring on flat surface, 80/70 cm deep;
- render is for reference only, the actual appearance of the equipment and its color may vary;

Guarantee

- 30** 30 year guarantee - Structural strength of steel and stainless steel components
- 15** 15 year guarantee - Structural failure of steel and stainless steel, for dynamic equipment
- 10** 10 year guarantee - Structural failure of high density polyethylene and high pressure laminates components
- 5** 5 year guarantee - Corrosion of stainless steel and hot dip galvanized and powder coated components; against bark beetles and rot in case of wooden structural elements

Detailed information in the guarantee card



Surfaces according to EN 1176-1:2017

	Description (mm)	Layer thickness (cm)	Maximum fall heights (cm)
Turf/ top layer of soil (A,B,C)	-	-	≤100
bark (A,C)	Particle size from 20 to 80	30	≤200
		40	≤300
woodchips (A,C)	Particle size from 5 to 30	30	≤200
		40	≤300
sand or gravel (A,C)	Particle size from 0,25 to 8	30	≤200
		40	≤300
synthetic attested (A,B,C)	Tested according to EN 1177		95

Product technical sheet

ROBINIA RB2862

Amount of safe surface corresponding with free fall height:

HIC <60 6,5 m²

HIC 62 4,4 m²

HIC 95 16,0 m²

Data is subject to change without prior notice.

