



Product technical sheet

SWING ST0528



5 - 12 years



2 kids



18,0 m²

Material specification

- Hot-dip galvanized and powder coated steel construction,
- Steps made of anti-slip and waterproof HPL plate,
- Stainless steel handrails,
- Moving elements based on a durable braking system closed in casings, which do not require greasing and maintenance, ensuring long service life of the device,
- Screws covered with plastic caps and/or stainless steel screws,



Physical development

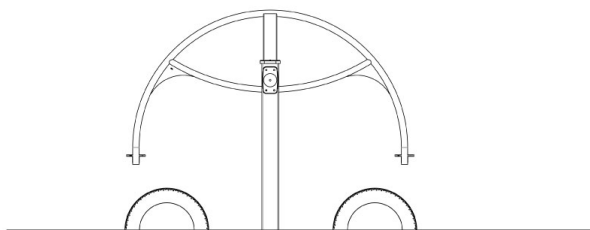
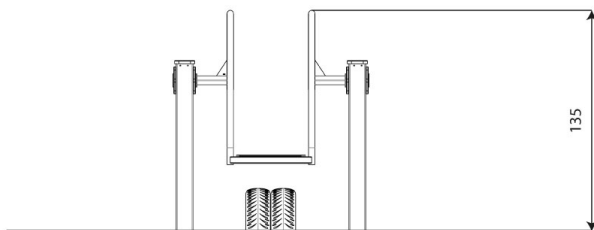
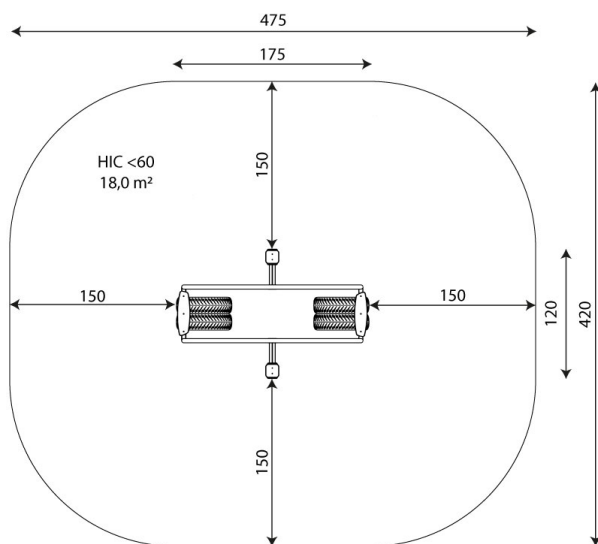


community



rocking





Product technical sheet

SWING ST0528

Product data

Length	175 cm
Width	120 cm
Total height	135 cm
Age group	5 - 12 years
Number of users	2 kids
Safety zone	18,0 m ²
Free fall height	<60 cm
In accordance with norm EN	1176-1:2017
Weight of the heaviest part	33 kg
Dimensions of the largest part	116x92x164 cm
Availability of spare parts	YES

Color options

Data is subject to change without prior notice.

Additional information

- equipment intended for public playgrounds;
- equipment has a certificate issued by an accredited entity or a declaration of conformity;
- no sharp edges or chinks that would pose a danger of jimmie the head, fingers or any other body parts;
- anchoring on flat surface, 80/70 cm deep;
- render is for reference only, the actual appearance of the equipment and its color may vary;

Guarantee

30

30 year guarantee - Structural strength of steel and stainless steel components

15

15 year guarantee - Structural failure of steel and stainless steel, for dynamic equipment

10

10 year guarantee - Structural failure of high density polyethylene and high pressure laminates components

5

5 year guarantee - Corrosion of stainless steel and hot dip galvanized and powder coated components; against bark beetles and rot in case of wooden structural elements

Detailed information in the guarantee card



SWING ST0528

Surfaces according to EN 1176-1:2017

	Description (mm)	Layer thickness (cm)	Maximum fall heights (cm)
Turf/ top layer of soil (A,B,C)	-	-	≤100
bark (A,C)	Particle size from 20 to 80	30	≤200
		40	≤300
woodchips (A,C)	Particle size from 5 to 30	30	≤200
		40	≤300
sand or gravel (A,C)	Particle size from 0,25 to 8	30	≤200
		40	≤300
synthetic attested (A,B,C)	Tested according to EN 1177		<60

Amount of safe surface corresponding with free fall height:

HIC <60 18,0 m²

Data is subject to change without prior notice.

