

Product technical sheet

SWING ST0531



14+



1 kids



< 200 kg

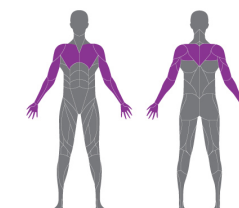
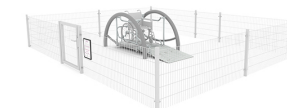
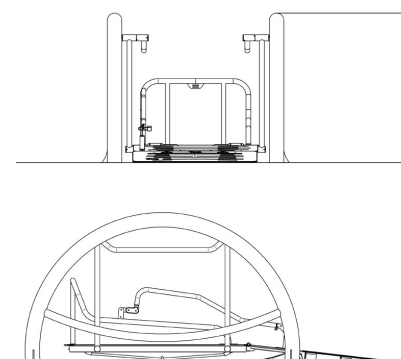
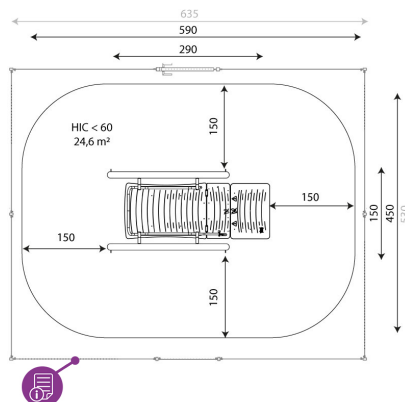


24,6 m2

Product data

Length	290 cm
Width	150 cm
Total height	120 cm
Age group	14+ years
Number of users	1 kids
Maximum weight of user	200 kg
Safety zone	24,6 m2
Free fall height	<60 cm
The height of the platforms	14 cm
In accordance with norm EN	16630:2015
Weight of the heaviest part	43 kg
Dimensions of the largest part	221x28x123 cm
Availability of spare parts	YES
Color options	

Data is subject to change without prior notice.



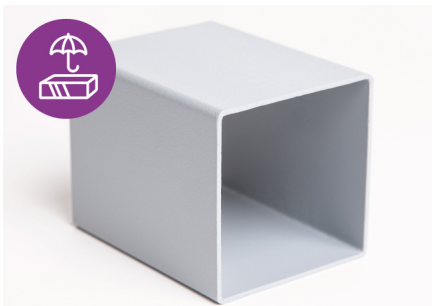
Vinci Group Sp. z o.o.
Seminaryjna 9 Street
99-400 Łowicz

VAT: 534-250-14-46
PHONE: +48 42 203 24 99 ext. 26
M: +48 793 404 991

biuro@vinci-play.com
info@vinci-play.com
www.vinci-play.com



Material specification



Hot-dip galvanized and powder coated steel construction,



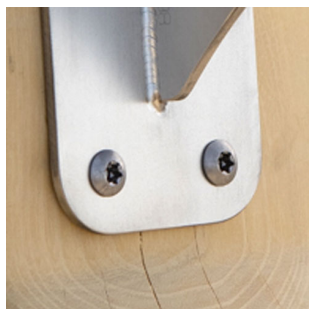
Platforms made of durable anti-slip and waterproof HPL plate,



Stainless steel handrails,



Moving elements based on bearings mechanism closed in casing, which do not require periodic greasing and maintenance, ensuring long service life of the device,



Screws covered with plastic caps and/or stainless steel screws,

Additional information

- equipment adapted for the disabled; device intended for public outdoor gyms;
- when installing the device in the playground, additional fence is obligatory;
- an easily visible information board about compliance with the PN-EN 16630: 2015-06 standard should be provided near the device;
- no sharp edges or chinks that would pose a danger of jimming the head, fingers or any other body parts;
- render is for reference only, the actual appearance of the equipment and its color may vary;

Guarantee

- 30** 30 year guarantee - Structural strength of steel and stainless steel components
- 15** 15 year guarantee - Structural failure of steel and stainless steel, for dynamic equipment
- 10** 10 year guarantee - Structural failure of high density polyethylene and high pressure laminates components
- 5** 5 year guarantee - Corrosion of stainless steel and hot dip galvanized and powder coated components; against bark beetles and rot in case of wooden structural elements

Detailed information in the guarantee card



Amount of safe surface corresponding with free fall height:

HIC <60 24,6 m²

Data is subject to change without prior notice.

Surfaces according to EN 16630:2015

	Description (mm)	Layer thickness (cm)	Maximum fall height (cm)
Concrete / stone / bituminous surfaces (A, B, C)	-	-	≤100
outer soil layer (A,B,C)	-	-	≤120
Turf (A,B,C)	-	-	≤150
bark (A,C)	Particle size from 20 to 80	30	≤200
		40	≤300
wood shavings/cuttings (A, C)	Particle size from 5 to 30	30	≤200
		40	≤300
sand (A,C)	Particle size from 0,2 to 2 mm	30	≤200
		40	≤300
gravel (A,C)	Particle size from 2 to 8	30	≤200
		40	≤300
attested synthetic (A, B, C)	Tested according to EN 1177		<60



Vinci Group Sp. z o.o.
Seminaryjna 9 Street
99-400 Łowicz

VAT: 534-250-14-46
PHONE: +48 42 203 24 99 ext. 26
M: +48 793 404 991

biuro@vinci-play.com
info@vinci-play.com
www.vinci-play.com

