



Product technical sheet

WOODEN WD1407



3 - 14 years



13 kids



27,5 m²



Material specification

- The structure is made of a durable, moisture-resistant and low-temperature recycled composite,
- Platforms and climbing walls made of durable anti-slip and waterproof plywood or HPL plate,
- Structure for platforms made of hot-dip galvanized and powder coated steel;
- Roofs and side panels made of recycled HDPE plates, resistant to weather conditions, green HDPE panels made of 100% recycled materials, e.g. ocean waste such as fishing nets and ropes
- Slides made of stainless steel with sides made of recycled HDPE boards, resistant to atmospheric conditions,
- Fireman's pole made of stainless steel,
- Manipulative panels made of recycled HDPE plates, resistant to weather conditions, green HDPE panels made of 100% recycled, e.g. ocean waste such as fishing nets and ropes,
- Spherical windows made of polycarbonate,
- Double wall tube passage made of polypropylene,
- Climbing stones made of green HDPE plates made of 100% recycled material, e.g. ocean waste such as fishing nets and ropes, resistant to weather conditions,
- Steel ropes in polypropylene braid, connected with durable plastic elements, stainless steel or aluminum,
- Stainless steel bars and handrails,
- Screws covered with plastic caps and/or stainless steel screws,



Facilitating disability



easy access



integration



Intellectual development



manipulation



sight



thinking



Physical development



hiding



sliding



climbing



crawling





2
number of towers



1
number of slides



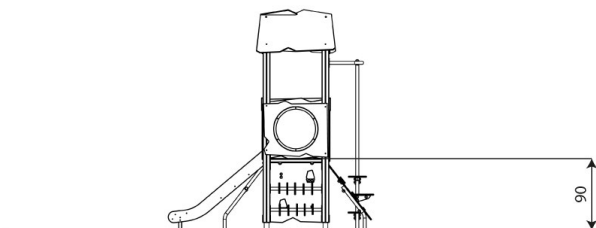
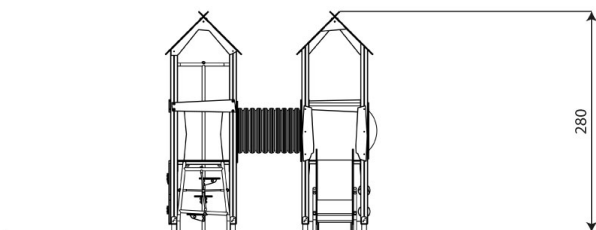
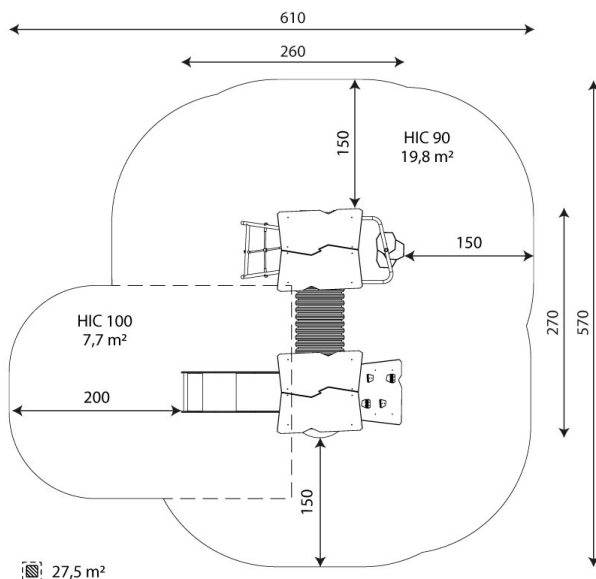
2
number of roofs



2
number of interactive elements



3
number of activity elements



Product technical sheet

WOODEN WD1407

Product data

Length	260 cm
Width	270 cm
Total height	280 cm
Age group	3 - 14 years
Number of users	13 kids
Safety zone	27,5 m2
Free fall height	90 cm
The height of the platforms	90 cm
slide platform height	90 cm
In accordance with norm EN	1176-1:2017
Weight of the heaviest part	25 kg
Dimensions of the largest part	302x9x9 cm
Availability of spare parts	YES
Installation time	6,0 h
Color options	

Data is subject to change without prior notice.

Additional information

- equipment adapted for the disabled; intended for public playgrounds;
- equipment has a certificate issued by an accredited entity or a declaration of conformity;
- no sharp edges or chinks that would pose a danger of jimming the head, fingers or any other body parts;
- anchoring on flat surface, 80/70/60 cm deep;
- slide should not be installed southwards;
- render is for reference only, the actual appearance of the equipment and its color may vary;

Guarantee

30

30 year guarantee - Structural strength of steel and stainless steel components

15

15 year guarantee - Structural failure of steel and stainless steel, for dynamic equipment

10

10 year guarantee - Structural failure of high density polyethylene and high pressure laminates components

5

5 year guarantee - Corrosion of stainless steel and hot dip galvanized and powder coated components; against bark beetles and rot in case of wooden structural elements

Detailed information in the guarantee card

Vinci Group Sp. z o.o.
Seminarnyja 9 Street
99-400 Łowicz

VAT: 534-250-14-46
PHONE: +48 42 203 24 99 ext. 26
M: +48 793 404 991



biuro@vinci-play.com
info@vinci-play.com
www.vinci-play.com

Surfaces according to EN 1176-1:2017

	Description (mm)	Layer thickness (cm)	Maximum fall heights (cm)
Turf/ top layer of soil (A,B,C)	-	-	≤100
bark (A,C)	Particle size from 20 to 80	30	≤200
		40	≤300
woodchips (A,C)	Particle size from 5 to 30	30	≤200
		40	≤300
sand or gravel (A,C)	Particle size from 0,25 to 8	30	≤200
		40	≤300
synthetic attested (A,B,C)	Tested according to EN 1177		100

Product technical sheet

WOODEN WD1407

Amount of safe surface corresponding with free fall height:

HIC 90 19,8 m²

HIC 100 7,7 m²

Data is subject to change without prior notice.

