

# WOODEN WD1414



3 - 14 years



21 kids



31,4 m<sup>2</sup>



## Material specification

- The structure is made of a durable, moisture-resistant and low-temperature recycled composite,
- Platforms made of durable anti-slip and waterproof plywood or HPL plate,
- Structure for platforms made of hot-dip galvanized and powder coated steel;
- The covers are made of recycled HDPE panel, resistant to weather conditions
- Slides made of stainless steel with sides made of recycled HDPE boards, resistant to atmospheric conditions,
- Educational panels made of recycled HDPE plates, resistant to weather conditions, green HDPE panels made of 100% recycled, e.g. ocean waste such as fishing nets and ropes,
- Spherical windows made of polycarbonate,
- Flags and rudders made of durable HDPE plate, resistant to weather conditions,
- Steel ropes in polypropylene braid, connected with durable plastic elements, stainless steel or aluminum,
- Stainless steel bars and handrails,
- Screws covered with plastic caps and/or stainless steel screws,
- Safe end caps made of polypropylene,



### Facilitating disability



easy access



integration



### Intellectual development



manipulation



sensorics



sight



thinking



### Physical development



sliding



climbing





**1**  
number of towers



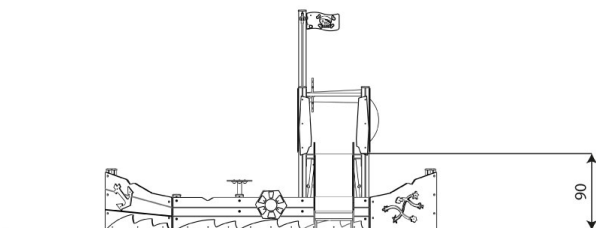
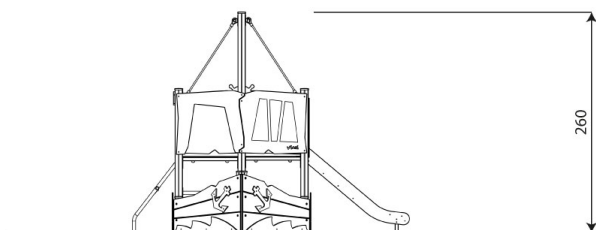
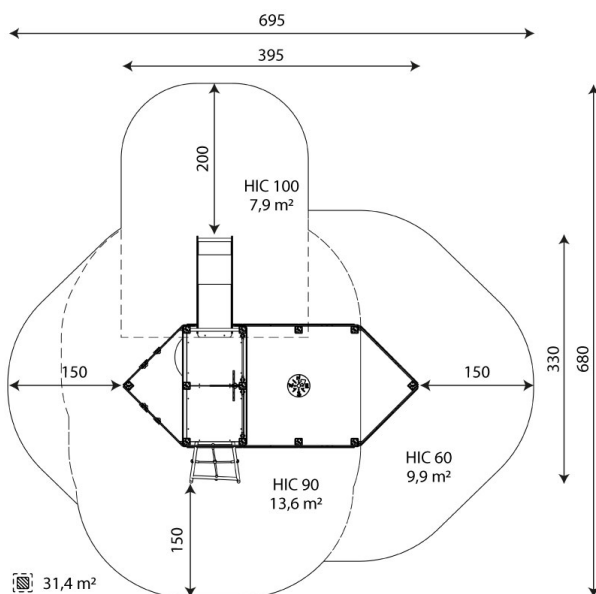
**1**  
number of slides



**4**  
number of interactive elements



**1**  
number of activity elements



**Product technical sheet**

**WOODEN WD1414**

**Product data**

|                                |                     |
|--------------------------------|---------------------|
| Length                         | 395 cm              |
| Width                          | 330 cm              |
| Total height                   | 260 cm              |
| Age group                      | 3 - 14 years        |
| Number of users                | 21 kids             |
| Safety zone                    | 31,4 m <sup>2</sup> |
| Free fall height               | 90 cm               |
| The height of the platforms    | 90 cm               |
| In accordance with norm EN     | 1176-1:2017         |
| Weight of the heaviest part    | 10 kg               |
| Dimensions of the largest part | 324x9x9 cm          |
| Availability of spare parts    | YES                 |
| Installation time              | 7,5 h               |
| Color options                  |                     |

Data is subject to change without prior notice.

**Additional information**

- equipment adapted for the disabled; intended for public playgrounds;
- equipment has a certificate issued by an accredited entity or a declaration of conformity;
- no sharp edges or chinks that would pose a danger of jimmieing the head, fingers or any other body parts;
- anchoring on flat surface, 80/70/60 cm deep;
- slide should not be installed southwards;
- render is for reference only, the actual appearance of the equipment and its color may vary;

**Guarantee**

**30** 30 year guarantee - Structural strength of steel and stainless steel components

**15** 15 year guarantee - Structural failure of steel and stainless steel, for dynamic equipment

**10** 10 year guarantee - Structural failure of high density polyethylene and high pressure laminates components

**5** 5 year guarantee - Corrosion of stainless steel and hot dip galvanized and powder coated components; against bark beetles and rot in case of wooden structural elements

Detailed information in the guarantee card

**Vinci Group Sp. z o.o.**  
Seminaryjna 9 Street  
99-400 Łowicz

VAT: 534-250-14-46  
PHONE: +48 42 203 24 99 ext. 26  
M: +48 793 404 991



biuro@vinci-play.com  
info@vinci-play.com  
[www.vinci-play.com](http://www.vinci-play.com)

## Surfaces according to EN 1176-1:2017

|                                 | Description (mm)             | Layer thickness (cm) | Maximum fall heights (cm) |
|---------------------------------|------------------------------|----------------------|---------------------------|
| Turf/ top layer of soil (A,B,C) | -                            | -                    | ≤100                      |
| bark (A,C)                      | Particle size from 20 to 80  | 30                   | ≤200                      |
|                                 |                              | 40                   | ≤300                      |
| woodchips (A,C)                 | Particle size from 5 to 30   | 30                   | ≤200                      |
|                                 |                              | 40                   | ≤300                      |
| sand or gravel (A,C)            | Particle size from 0,25 to 8 | 30                   | ≤200                      |
|                                 |                              | 40                   | ≤300                      |
| synthetic attested (A,B,C)      | Tested according to EN 1177  |                      | 100                       |

## Product technical sheet

# WOODEN WD1414

### Amount of safe surface corresponding with free fall height:

|         |                     |
|---------|---------------------|
| HIC 60  | 9,9 m <sup>2</sup>  |
| HIC 90  | 13,6 m <sup>2</sup> |
| HIC 100 | 7,9 m <sup>2</sup>  |

Data is subject to change without prior notice.

