

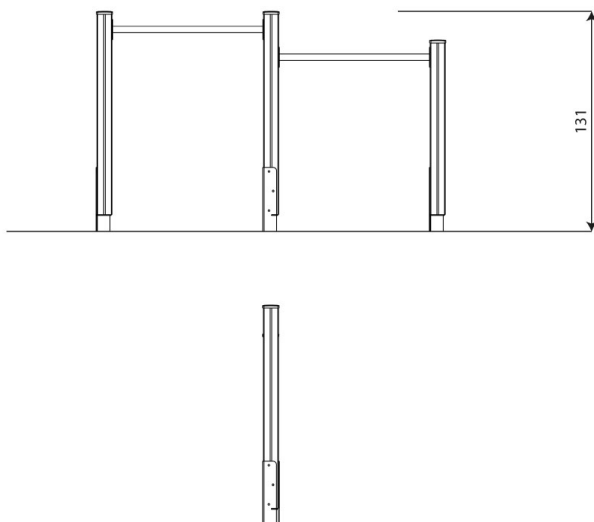
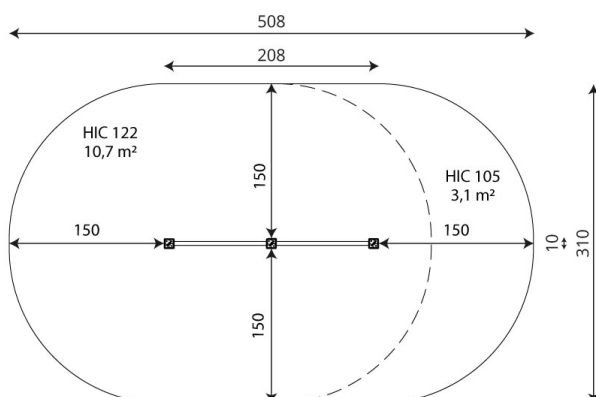
CLIMBOO WD1428**3 - 14 years****4 kids****13,8 m²****Material specification**

- Construction made of the highest quality laminated, impregnated and double coated pine wood 90 x 90 mm without knots, secured from the top with polypropylene plugs,
- Metal anchors made of hot dip galvanized steel, protecting the wood from direct contact with the ground to prevent rot and to extend the product's life,
- Stainless steel bars,
- Stainless steel screws and/or screws covered with plastic caps,
- Safe end caps made of polypropylene,

**Physical development****pull-up**



1
number of activity elements



Product technical sheet

CLIMBOO WD1428

Product data

Length	208 cm
Width	10 cm
Total height	131 cm
Age group	3 - 14 years
Number of users	4 kids
Safety zone	13,8 m2
Free fall height	122 cm
In accordance with norm EN	1176-1:2017
Weight of the heaviest part	13 kg
Dimensions of the largest part	200x9x9 cm
Availability of spare parts	YES
Installation time	1,5 h

Data is subject to change without prior notice.

Additional information

- equipment intended for public playgrounds;
- equipment has a certificate issued by an accredited entity or a declaration of conformity;
- no sharp edges or chinks that would pose a danger of jimmieing the head, fingers or any other body parts;
- anchoring on flat surface, 80/70/60 cm deep;
- render is for reference only, the actual appearance of the equipment and its color may vary;

Guarantee

30

30 year guarantee - Structural strength of steel and stainless steel components

15

15 year guarantee - Structural failure of steel and stainless steel, for dynamic equipment

10

10 year guarantee - Structural failure of high density polyethylene and high pressure laminates components

5

5 year guarantee - Corrosion of stainless steel and hot dip galvanized and powder coated components; against bark beetles and rot in case of wooden structural elements

Detailed information in the guarantee card



CLIMBOO WD1428

Surfaces according to EN 1176-1:2017

	Description (mm)	Layer thickness (cm)	Maximum fall heights (cm)
Turf/ top layer of soil (A,B,C)	-	-	≤100
bark (A,C)	Particle size from 20 to 80	30	≤200
		40	≤300
woodchips (A,C)	Particle size from 5 to 30	30	≤200
		40	≤300
sand or gravel (A,C)	Particle size from 0,25 to 8	30	≤200
		40	≤300
synthetic attested (A,B,C)	Tested according to EN 1177		122

Amount of safe surface corresponding with free fall height:

HIC 105	3,1 m ²
HIC 122	10,7 m ²

Data is subject to change without prior notice.

