

# WOODEN WD1437



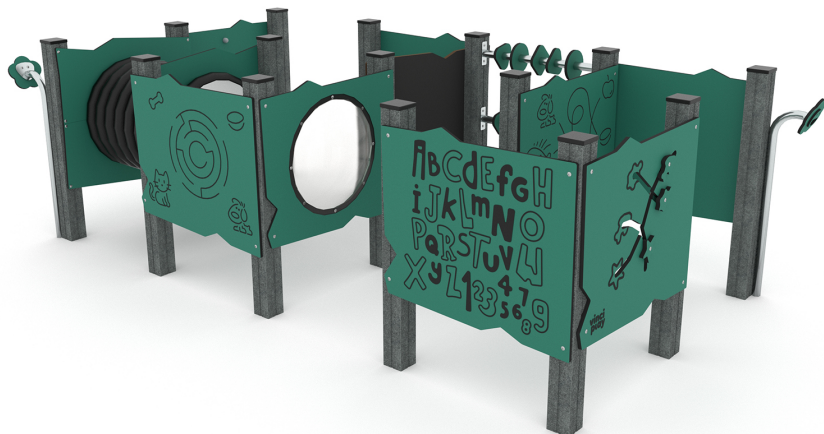
1 - 8 years



15 kids



27,3 m<sup>2</sup>



## Material specification

- The structure is made of a durable, moisture-resistant and low-temperature recycled composite,
- The covers are made of recycled HDPE panel, resistant to weather conditions
- Educational panels made of recycled HDPE plates, resistant to weather conditions, green HDPE panels made of 100% recycled, e.g. ocean waste such as fishing nets and ropes,
- Drawing board made of durable, waterproof plywood or HPL plate, resistant to weather conditions,
- Spherical windows made of polycarbonate,
- "Telephone" - construction - stainless steel pipe, flowers made of green HDPE plates made of 100% recycled material, e.g. ocean waste such as fishing nets and ropes; plastic underground installation,
- Stainless steel bars,
- Screws covered with plastic caps and/or stainless steel screws,
- Safe end caps made of polypropylene,



### Facilitating disability



sound stimulation



for visually impaired



easy access



integration



### Intellectual development



manipulation



music



sight



thinking



### Physical development



hiding



crawling





**11**  
number of interactive elements



**1**  
number of activity elements

**Product technical sheet**

**WOODEN WD1437**

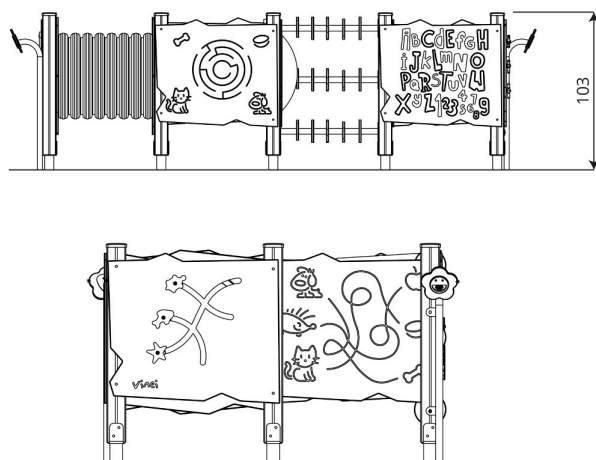
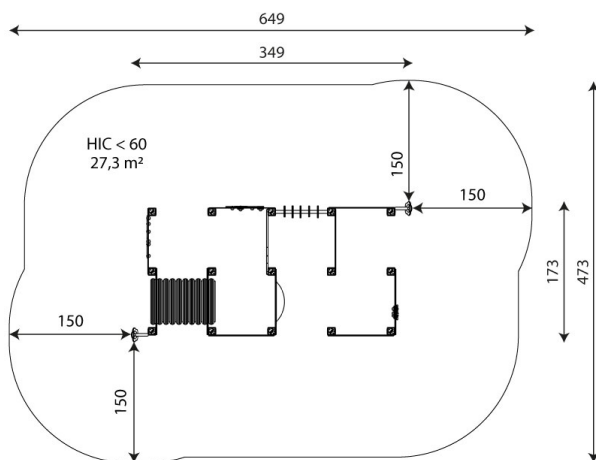
**Product data**

Length	349 cm
Width	173 cm
Total height	103 cm
Age group	1 - 8 years
Number of users	15 kids
Safety zone	27,3 m2
Free fall height	<60 cm
In accordance with norm EN	1176-1:2017
Weight of the heaviest part	11 kg
Dimensions of the largest part	93x9x9 cm
Availability of spare parts	YES
Installation time	8,5 h
Color options	

Data is subject to change without prior notice.

**Additional information**

- equipment adapted for the disabled; intended for public playgrounds;
- equipment has a certificate issued by an accredited entity or a declaration of conformity;
- no sharp edges or chinks that would pose a danger of jimming the head, fingers or any other body parts;
- anchoring on flat surface, 80/70/60 cm deep;
- render is for reference only, the actual appearance of the equipment and its color may vary;



**Guarantee**

**30**

30 year guarantee - Structural strength of steel and stainless steel components

**15**

15 year guarantee - Structural failure of steel and stainless steel, for dynamic equipment

**10**

10 year guarantee - Structural failure of high density polyethylene and high pressure laminates components

**5**

5 year guarantee - Corrosion of stainless steel and hot dip galvanized and powder coated components; against bark beetles and rot in case of wooden structural elements

Detailed information in the guarantee card



## Surfaces according to EN 1176-1:2017

	Description (mm)	Layer thickness (cm)	Maximum fall heights (cm)
Turf/ top layer of soil (A,B,C)	-	-	≤100
bark (A,C)	Particle size from 20 to 80	30	≤200
		40	≤300
woodchips (A,C)	Particle size from 5 to 30	30	≤200
		40	≤300
sand or gravel (A,C)	Particle size from 0,25 to 8	30	≤200
		40	≤300
synthetic attested (A,B,C)	Tested according to EN 1177		60

## Product technical sheet

# WOODEN WD1437

### Amount of safe surface corresponding with free fall height:

HIC <60 27,3 m<sup>2</sup>

Data is subject to change without prior notice.

