

Product technical sheet

CLIMBOO WD1459



1 - 12 years



1 kids



13.5 m²

Material specification

- The structure is made of a durable, moisture-resistant and low-temperature recycled composite,
- The covers are made of recycled HDPE panel, resistant to weather conditions
- Double wall tube passage made of polypropylene,
- Stainless steel screws and/or screws covered with plastic caps,
- Safe end caps made of polypropylene,



Physical development

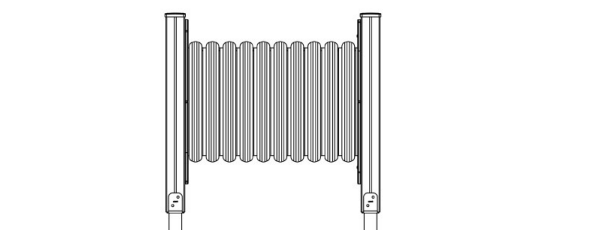
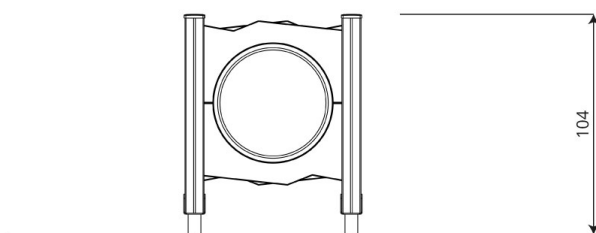
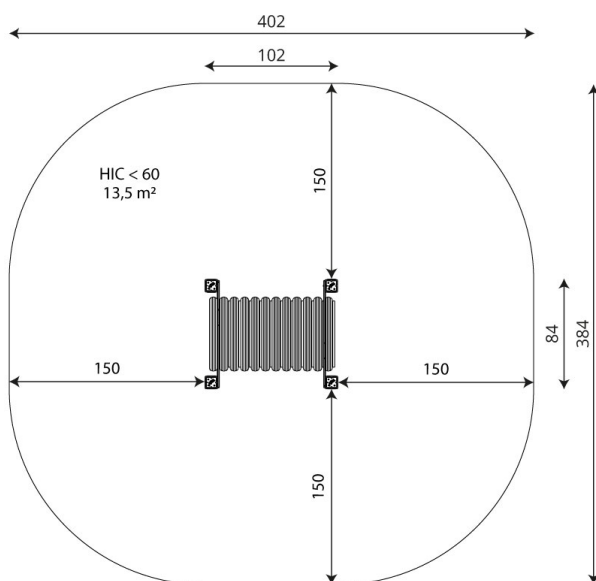


crawling





1
number of activity elements



Product technical sheet

CLIMBOO WD1459

Product data

Length	102 cm
Width	84 cm
Total height	104 cm
Age group	1 - 12 years
Number of users	1 kids
Safety zone	13.5 m ²
Free fall height	<60 cm
In accordance with norm EN	1176-1:2017
Weight of the heaviest part	13 kg
Dimensions of the largest part	56x56x96 cm
Availability of spare parts	YES
Installation time	2 h
Color options	

Data is subject to change without prior notice.

Additional information

- equipment intended for public playgrounds;
- equipment has a certificate issued by an accredited entity or a declaration of conformity;
- no sharp edges or chinks that would pose a danger of jimmieing the head, fingers or any other body parts;
- anchoring on flat surface, 80/70/60 cm deep;
- render is for reference only, the actual appearance of the equipment and its color may vary;

Guarantee

30

30 year guarantee - Structural strength of steel and stainless steel components

15

15 year guarantee - Structural failure of steel and stainless steel, for dynamic equipment

10

10 year guarantee - Structural failure of high density polyethylene and high pressure laminates components

5

5 year guarantee - Corrosion of stainless steel and hot dip galvanized and powder coated components; against bark beetles and rot in case of wooden structural elements

Detailed information in the guarantee card



Surfaces according to EN 1176-1:2017

	Description (mm)	Layer thickness (cm)	Maximum fall heights (cm)
Turf/ top layer of soil (A,B,C)	-	-	≤100
bark (A,C)	Particle size from 20 to 80	30	≤200
		40	≤300
woodchips (A,C)	Particle size from 5 to 30	30	≤200
		40	≤300
sand or gravel (A,C)	Particle size from 0,25 to 8	30	≤200
		40	≤300
synthetic attested (A,B,C)	Tested according to EN 1177		<60

Product technical sheet

CLIMBOO WD1459

Amount of safe surface corresponding with free fall height:

HIC <60 13,5 m²

Data is subject to change without prior notice.

