



**Product technical sheet**

**WOODEN WD150**



1 - 12 years



28 kids



33,3 m<sup>2</sup>



**Material specification**

- The structure is made of a durable, moisture-resistant and low-temperature recycled composite,
- Platforms and steps made of durable anti-slip and waterproof plywood or HPL plate,
- Structure for platforms made of hot-dip galvanized and powder coated steel;
- The covers are made of recycled HDPE panel, resistant to weather conditions
- Slides made of stainless steel with sides made of recycled HDPE boards, resistant to atmospheric conditions,
- Educational panels made of recycled HDPE plates, resistant to weather conditions, green HDPE panels made of 100% recycled, e.g. ocean waste such as fishing nets and ropes,
- Windows and/or elements made of polycarbonate,
- Music panels made of recycled HDPE plates, resistant to weather conditions, green HDPE panels made of 100% recycled, e.g. ocean waste such as fishing nets and ropes,
- Electronic playing elements in music panels loaded mechanically by spinning the handle,
- Dashboard and steering wheel made of durable HDPE plate, resistant to weather conditions,
- Double wall tube passage made of polypropylene,
- Steel ropes in polypropylene braid, connected with durable plastic elements, stainless steel or aluminum,
- Calibrated stainless steel chains, preventing fingers entrapment,
- Stainless steel bars,
- Screws covered with plastic caps and/or stainless steel screws,
- Safe end caps made of polypropylene,



**Facilitating disability**



easy access



mobility



handrails



integration



**Intellectual development**



manipulation



sensorics



music



thinking



**Physical development**



hiding



sliding



crawling





**1**  
number of towers



**1**  
number of slides



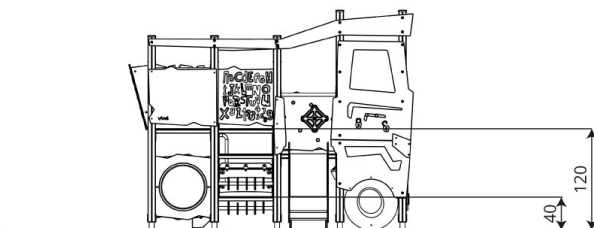
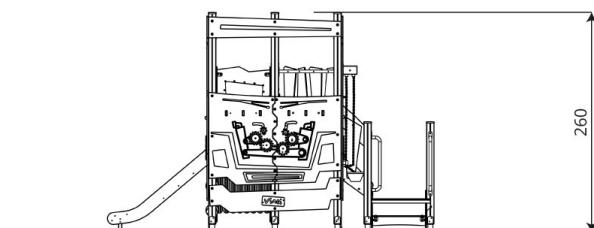
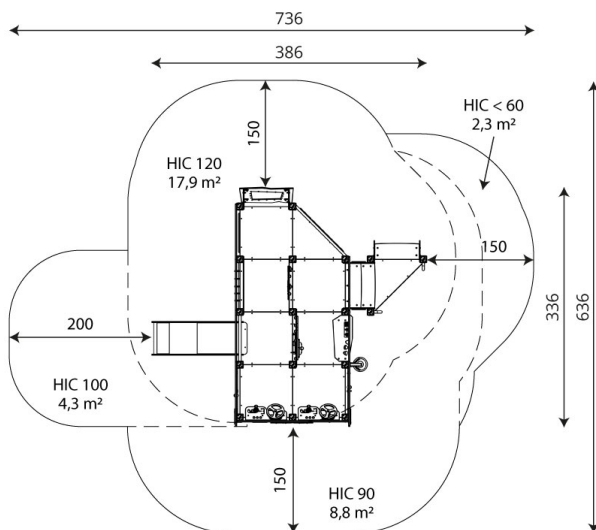
**10**  
number of interactive elements



**1**  
number of activity elements



stairs



**Product technical sheet**

**WOODEN WD1550**

**Product data**

|                                |                |
|--------------------------------|----------------|
| Length                         | 386 cm         |
| Width                          | 336 cm         |
| Total height                   | 260 cm         |
| Age group                      | 1 - 12 years   |
| Number of users                | 28 kids        |
| Safety zone                    | 33,3 m2        |
| Free fall height               | 90 cm          |
| The height of the platforms    | 40, 90, 120 cm |
| In accordance with norm EN     | 1176-1:2017    |
| Weight of the heaviest part    | 19 kg          |
| Dimensions of the largest part | 249x9x9 cm     |
| Availability of spare parts    | YES            |
| Installation time              | 9,5 h          |
| Color options                  |                |

Data is subject to change without prior notice.

**Additional information**

- equipment adapted for the disabled; intended for public playgrounds;
- equipment has a certificate issued by an accredited entity or a declaration of conformity;
- no sharp edges or chinks that would pose a danger of jimmieing the head, fingers or any other body parts;
- anchoring on flat surface, 80/70/60 cm deep;
- slide should not be installed southwards;
- render is for reference only, the actual appearance of the equipment and its color may vary;

**Guarantee**

**30** 30 year guarantee - Structural strength of steel and stainless steel components

**15** 15 year guarantee - Structural failure of steel and stainless steel, for dynamic equipment

**10** 10 year guarantee - Structural failure of high density polyethylene and high pressure laminates components

**5** 5 year guarantee - Corrosion of stainless steel and hot dip galvanized and powder coated components; against bark beetles and rot in case of wooden structural elements

Detailed information in the guarantee card

Vinci Group Sp. z o.o.  
Seminarnyjna 9 Street  
99-400 Łowicz

VAT: 534-250-14-46  
PHONE: +48 42 203 24 99 ext. 26  
M: +48 793 404 991



biuro@vinci-play.com  
info@vinci-play.com  
[www.vinci-play.com](http://www.vinci-play.com)

## Surfaces according to EN 1176-1:2017

|                                 | Description (mm)             | Layer thickness (cm) | Maximum fall heights (cm) |
|---------------------------------|------------------------------|----------------------|---------------------------|
| Turf/ top layer of soil (A,B,C) | -                            | -                    | ≤100                      |
| bark (A,C)                      | Particle size from 20 to 80  | 30                   | ≤200                      |
|                                 |                              | 40                   | ≤300                      |
| woodchips (A,C)                 | Particle size from 5 to 30   | 30                   | ≤200                      |
|                                 |                              | 40                   | ≤300                      |
| sand or gravel (A,C)            | Particle size from 0,25 to 8 | 30                   | ≤200                      |
|                                 |                              | 40                   | ≤300                      |
| synthetic attested (A,B,C)      | Tested according to EN 1177  |                      | 120                       |

## Product technical sheet

# WOODEN WD1550

### Amount of safe surface corresponding with free fall height:

|         |                     |
|---------|---------------------|
| HIC <60 | 2,3 m <sup>2</sup>  |
| HIC 90  | 8,8 m <sup>2</sup>  |
| HIC 100 | 4,3 m <sup>2</sup>  |
| HIC 120 | 17,9 m <sup>2</sup> |

Data is subject to change without prior notice.

